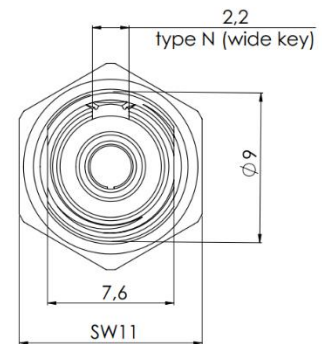
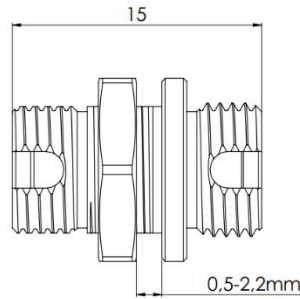


**FC- Kupplung mit Keramikhülse, Edelstahl**  
**FC- Adapter with ceramic-sleeve, stainless steel**

DIN EN 61754-13



Artikelnummer Part number	FCK-XE02A	Bemerkungen Remarks
Bezeichnung Description	FC-Kupplung Edelstahl FC-adapter stainless steel	Edelstahl Sechskantmutter stainless steel hex nut
Material	Edelstahl stainless steel	
Hülsen Material Sleeve material	Keramik ceramic	
Verdrehsicherung Anti rotation device	Narrow Key / Wide Key	type R / narrow key = 2,03 – 2,08mm type N / wide key = 2,15 – 2,20mm
Steckzyklen Mating cycles	1000	
Betriebstemperatur Operation temperature	-40 °C / +85°C	
Lagertemperatur Storage temperature	-40 °C / +85°C	

Bemerkungen / remarks: \*